

BHD 18R3

W/O Counterweight	kg	lb
	4450	9810



Ballast Beam & Mainboom

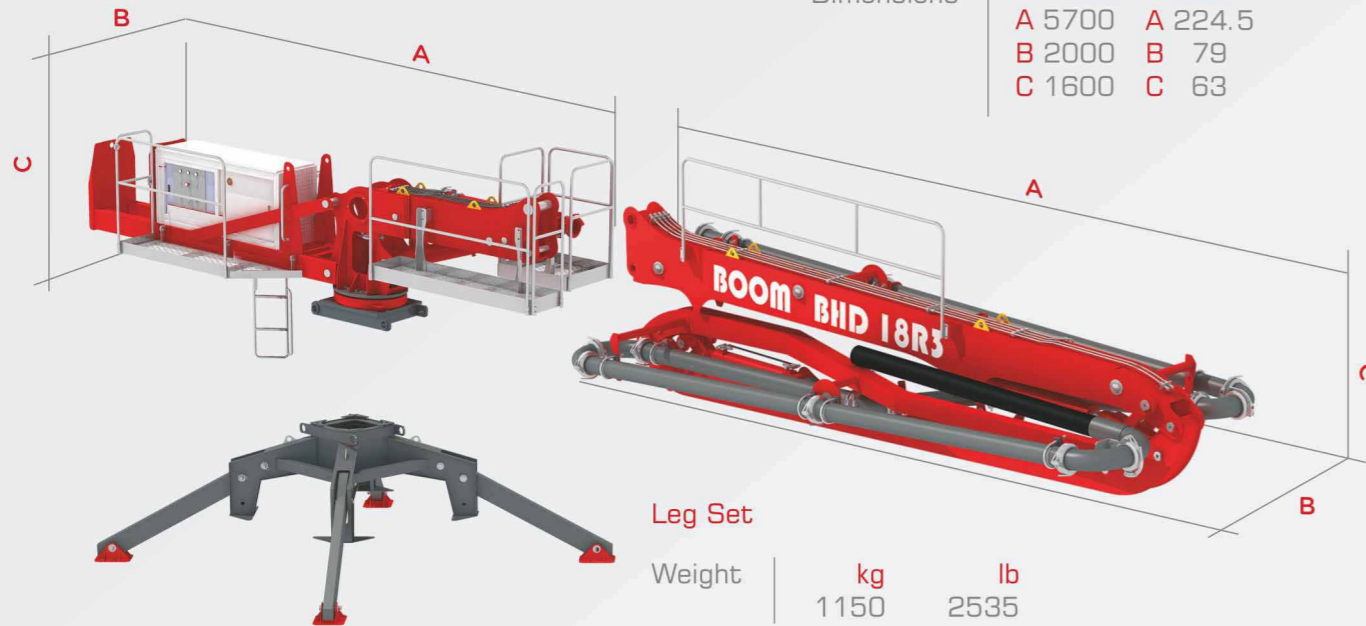
Weight	kg	lb
	1630	3593

Dimensions	mm	inch
	A 3150	A 124
	B 2150	B 84.5
	C 1600	C 63

Boom Section

Weight	kg	lb
	1670	3681

Dimensions	mm	inch
	A 5700	A 224.5
	B 2000	B 79
	C 1600	C 63

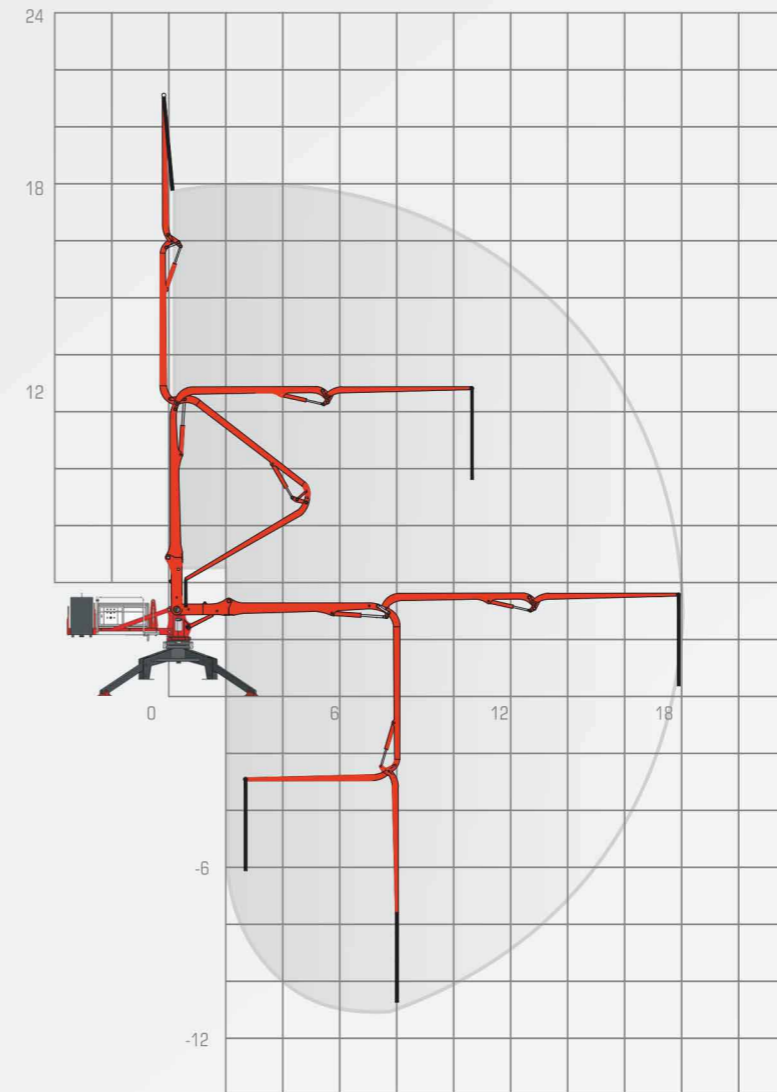


Leg Set

Weight	kg	lb
	1150	2535



Concrete Placing Boom
BHD 18R3
Technical Specifications



Weight	kg	lb
Ballast Beam & Mainboom :	1630	3593
Boom Section :	1670	3681
Leg Set :	1150	2535
	+	+
	4450	9809

Counterweight 1350 kg x 2 :	2700	5952
-----------------------------	------	------

*Specifications are subject to change without notice

